

# ZERO-G EXTERNAL

## External Mounted Cable Suspended Motorized Screen Specification Sheet



**SUGGESTED SPECIFICATIONS:** \_\_\_\_\_ projection screen(s), \_\_\_\_\_ (H) x \_\_\_\_\_ (W). This specification covers Zero-G as an external mount, self-contained unit, with either wall, or ceiling mounting capability. Junction box shall be internally integrated into the housing making it possible to install the housing and wire to the building's electrical system during construction. The material and roller assembly to be installed in the case at the factory or at a later time at the job site. To be complete with integrated low voltage trigger and three position control switch and cover plate. The external unit to be fitted with a curved front fascia. Zero-G screen materials are to be precision cut on computer-driven fabric tables. All Zero-G

Motorized screens include tab tensioning. All screens include up to 60" (1524mm) of user adjustable drop via high strength cables. Screens are available in 16:9, 16:10, and 2.35:1 aspect ratios. Sizes are available up to 78 7/16" (1,992 mm) high by 147 1/4" (3,740 mm) wide. Screen material to be Slate 1.2, Slate .8, Slate AT 1.2, Slate AT .8, Pure White 1.3, Pure Gray .85, Pure White AT 1.3, Pure Gray AT .85, Back Stage Rear-Pro 1.5, or 360 Rear-Pro .85. Please refer to a signed build drawing. If you require additional information not contained within this specification sheet, please contact us at [sales@screeninnovations.com](mailto:sales@screeninnovations.com) or 512-832-6939.

### Theater HDTV (16:9) Format Dimensions

Viewing Area H x W (C X B)		Standard Diagonal (A)		Overall Case Length (F)		Overall Flange Length (G)		Approx. Ship. Wt.	
In.	mm	In.	mm	In.	mm	In.	mm	Lbs.	Kg
39.25" X 69.75"	997 X 1,772	80"	2,032	82.75"	2,102	90.75"	2,305	117	53
45.125" X 80.188"	1,146 X 2,037	92"	2,337	93.875"	2,384	101.875"	2,588	129	59
49" X 87.188"	1,245 X 2,215	100"	2,540	101.313"	2,573	109.313"	2,777	137	62
51.938" X 92.375"	1,319 X 2,346	106"	2,692	106.938"	2,716	114.938"	2,919	143	65
53.938" X 95.875"	1,370 X 2,435	110"	2,794	110.688"	2,811	118.688"	3,015	147	67
58.813" X 104.563"	1,494 X 2,656	120"	3,048	120.125"	3,051	128.125"	3,254	157	71
65.188" X 115.938"	1,656 X 2,945	133"	3,378	132.5"	3,366	140.5"	3,569	171	78
78.438" X 139.438"	1,992 X 3,542	160"	4,064	158.5"	4,026	166.5"	4,229	199	90

### Wide (16:10) Format Dimensions

Viewing Area H x W (C X B)		Standard Diagonal (A)		Overall Case Length (F)		Overall Flange Length (G)		Approx. Ship. Wt.	
In.	mm	In.	mm	In.	mm	In.	mm	Lbs.	Kg
42.375" X 67.813"	1,076 X 1,722	80"	2,032	81.188"	2,062	89.188"	2,265	116	53
48.75" X 78"	1,238 X 1,981	92"	2,337	92.125"	2,340	100.125"	2,543	128	58
53" X 84.813"	1,346 X 2,154	100"	2,540	99.438"	2,526	107.438"	2,729	135	61
56.188" X 89.875"	1,427 X 2,283	106"	2,692	105"	2,667	113"	2,870	141	64
58.313" X 93.25"	1,481 X 2,369	110"	2,794	108.688"	2,761	116.688"	2,964	145	66
63.625" X 101.75"	1,616 X 2,584	120"	3,048	118"	2,997	126"	3,200	155	70
70.5" X 112.813"	1,791 X 2,865	133"	3,378	130.25"	3,308	138.25"	3,512	169	77
78.438" X 125.5"	1,992 X 3,188	148"	3,759	144.5"	3,670	152.5"	3,874	184	83

### CinemaScope (2.35:1) Format Dimensions

Viewing Area H x W (C X B)		Standard Diagonal (A)		Overall Case Length (F)		Overall Flange Length (G)		Approx. Ship. Wt.	
In.	mm	In.	mm	In.	mm	In.	mm	Lbs.	Kg
31.313" X 73.625"	795 X 1,870	80"	2,032	85.938"	2,183	93.938"	2,386	120	54
36" X 84.625"	914 X 2,149	92"	2,337	97.438"	2,475	105.438"	2,678	132	60
39.125" X 92"	994 X 2,337	100"	2,540	105.063"	2,669	113.063"	2,872	140	64
41.5" X 97.563"	1,054 X 2,478	106"	2,692	110.875"	2,816	118.875"	3,019	146	66
43.063" X 101.188"	1,094 X 2,570	110"	2,794	114.688"	2,913	122.688"	3,116	151	68
47" X 110.438"	1,194 X 2,805	120"	3,048	124.375"	3,159	132.375"	3,362	161	73
52.063" X 122.375"	1,322 X 3,108	133"	3,378	137"	3,480	145"	3,683	174	79
62.625" X 147.25"	1,591 X 3,740	160"	4,064	163.438"	4,151	171.438"	4,355	203	92

**PRODUCT NOTES**

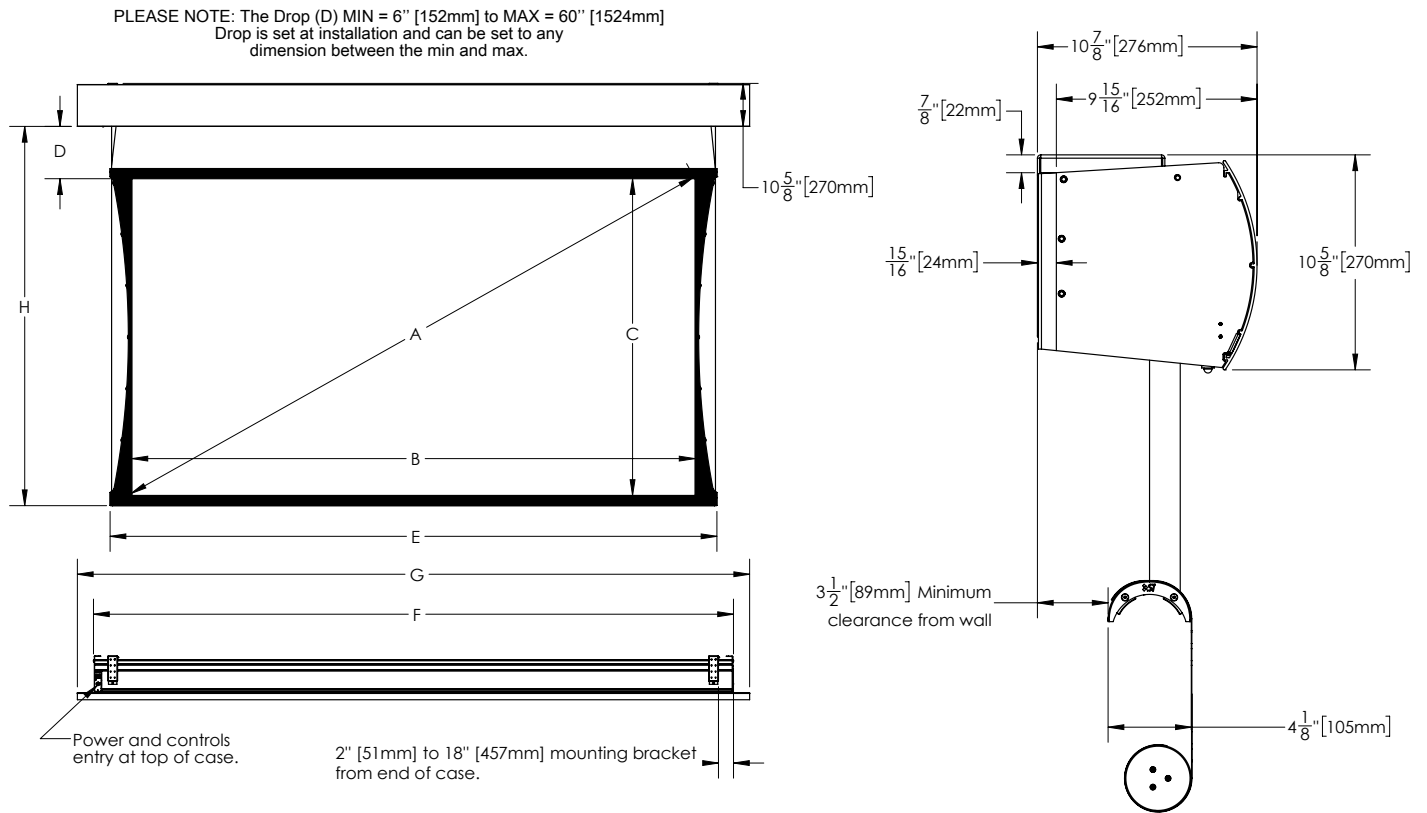
- Weights in this spec apply to Slate or Pure only and are estimates.
- All screens come with user adjustable black-drop between the case and viewing surface up to 60" (1,524 mm).
- All screens have a minimum drop of 6" (152 mm)
- All screens come with Wall Switch, IR Remote, and Low Voltage Trigger.
- Screen surface is tab-tensioned.
- Aspect ratios Available: 16:9, 16:10, 2.35:1, and Custom.
- For dimensions not listed, please see our online screen calculator. <http://dash.screeninnovations.com/screencalculator>

**WHEN ORDERING, MARK APPROPRIATE SELECTIONS**

1. Select Size from Charts.
2. Select Screen Material:
  - Slate 1.2
  - Slate .8
  - Pure White 1.3
  - Pure Gray .85
3. Screen Options:
  - 220v Motor
  - RS232/485 Control & Cable

**MATERIAL INFORMATION**

- All surfaces will be seamless.
- Max viewing height 78<sup>7</sup>/<sub>16</sub>" (1,992 mm)



9715-B Burnet Rd. Ste 400  
Austin, TX 78758  
512-832-6939  
[screeninnovations.com](http://screeninnovations.com)

SIZGFLSS2.1  
© 2017 Screen Innovations.

<b>Project Name:</b>	_____
<b>Architect:</b>	_____
<b>Contractor:</b>	_____ Phone _____
<b>Reseller:</b>	_____ Phone _____