

ZERO-G FLUSH

Flush Mounted Cable Suspended Motorized Screen Specification Sheet



SUGGESTED SPECIFICATIONS: _____ projection screen(s), _____ (H) x _____ (W). This specification covers Zero-G as a flush mount, self-contained unit, with either wall, ceiling, or suspended mount capability. Junction box shall be internally integrated into the housing making it possible to install the housing and wire to the building's electrical system during construction. The material and roller assembly to be installed in the case at the factory or at a later time at the job site. To be complete with integrated low voltage trigger and three position control switch and cover plate. The flush unit to be fitted with flat ceiling trim to finish out installation. Zero-G screen materials are to be precision cut on computer-driven fabric

tables. All Zero-G Motorized screens include tab tensioning. All screens include up to 60" (1524mm) of user adjustable drop via high strength cables. Screens are available in 16:9, 16:10, and 2.35:1 aspect ratios. Sizes are available up to 78 7/16" (1,992 mm) high by 147 1/4" (3,740 mm) wide. Screen material to be Slate 1.2, Slate .8, Slate AT 1.2, Slate AT .8, Pure White 1.3, Pure Gray .85, Pure White AT 1.3, Pure Gray AT .85, Back Stage Rear-Pro 1.5, or 360 Rear-Pro .85. Please refer to a signed build drawing. If you require additional information not contained within this specification sheet, please contact us at sales@screeninnovations.com or 512-832-6939.

Theater HDTV (16:9) Format Dimensions

Viewing Area H x W (C X B)		Standard Diagonal (A)		Overall Case Length (F)		Overall Flange Length (G)		Approx. Ship. Wt.	
In.	mm	In.	mm	In.	mm	In.	mm	Lbs.	Kg
39.25" X 69.75"	997 X 1,772	80"	2,032	82.75"	2,102	85.405"	2,169	144	65
45.125" X 80.188"	1,146 X 2,037	92"	2,337	93.875"	2,384	96.53"	2,452	159	72
49" X 87.188"	1,245 X 2,215	100"	2,540	101.313"	2,573	103.968"	2,641	169	77
51.938" X 92.375"	1,319 X 2,346	106"	2,692	106.938"	2,716	109.593"	2,784	176	80
53.938" X 95.875"	1,370 X 2,435	110"	2,794	110.688"	2,811	113.343"	2,879	181	82
58.813" X 104.563"	1,494 X 2,656	120"	3,048	120.125"	3,051	122.78"	3,119	194	88
65.188" X 115.938"	1,656 X 2,945	133"	3,378	132.5"	3,366	135.155"	3,433	211	96
78.438" X 139.438"	1,992 X 3,542	160"	4,064	158.5"	4,026	161.155"	4,093	246	112

Wide (16:10) Format Dimensions

Viewing Area H x W (C X B)		Standard Diagonal (A)		Overall Case Length (F)		Overall Flange Length (G)		Approx. Ship. Wt.	
In.	mm	In.	mm	In.	mm	In.	mm	Lbs.	Kg
42.375" X 67.813"	1,076 X 1,722	80"	2,032	81.188"	2,062	83.843"	2,130	142	64
48.75" X 78"	1,238 X 1,981	92"	2,337	92.125"	2,340	94.78"	2,407	156	71
53" X 84.813"	1,346 X 2,154	100"	2,540	99.438"	2,526	102.093"	2,593	166	75
56.188" X 89.875"	1,427 X 2,283	106"	2,692	105"	2,667	107.655"	2,734	174	79
58.313" X 93.25"	1,481 X 2,369	110"	2,794	108.688"	2,761	111.343"	2,828	179	81
63.625" X 101.75"	1,616 X 2,584	120"	3,048	118"	2,997	120.655"	3,065	192	87
70.5" X 112.813"	1,791 X 2,865	133"	3,378	130.25"	3,308	132.905"	3,376	208	94
78.438" X 125.5"	1,992 X 3,188	148"	3,759	144.5"	3,670	147.155"	3,738	228	103

CinemaScope (2.35:1) Format Dimensions

Viewing Area H x W (C X B)		Standard Diagonal (A)		Overall Case Length (F)		Overall Flange Length (G)		Approx. Ship. Wt.	
In.	mm	In.	mm	In.	mm	In.	mm	Lbs.	Kg
31.313" X 73.625"	795 X 1,870	80"	2,032	85.938"	2,183	88.593"	2,250	148	67
36" X 84.625"	914 X 2,149	92"	2,337	97.438"	2,475	100.093"	2,542	163	74
39.125" X 92"	994 X 2,337	100"	2,540	105.063"	2,669	107.718"	2,736	173	78
41.5" X 97.563"	1,054 X 2,478	106"	2,692	110.875"	2,816	113.53"	2,884	181	82
43.063" X 101.188"	1,094 X 2,570	110"	2,794	114.688"	2,913	117.343"	2,980	186	84
47" X 110.438"	1,194 X 2,805	120"	3,048	124.375"	3,159	127.03"	3,227	199	90
52.063" X 122.375"	1,322 X 3,108	133"	3,378	137"	3,480	139.655"	3,547	216	98
62.625" X 147.25"	1,591 X 3,740	160"	4,064	163.438"	4,151	166.093"	4,219	252	114

PRODUCT NOTES

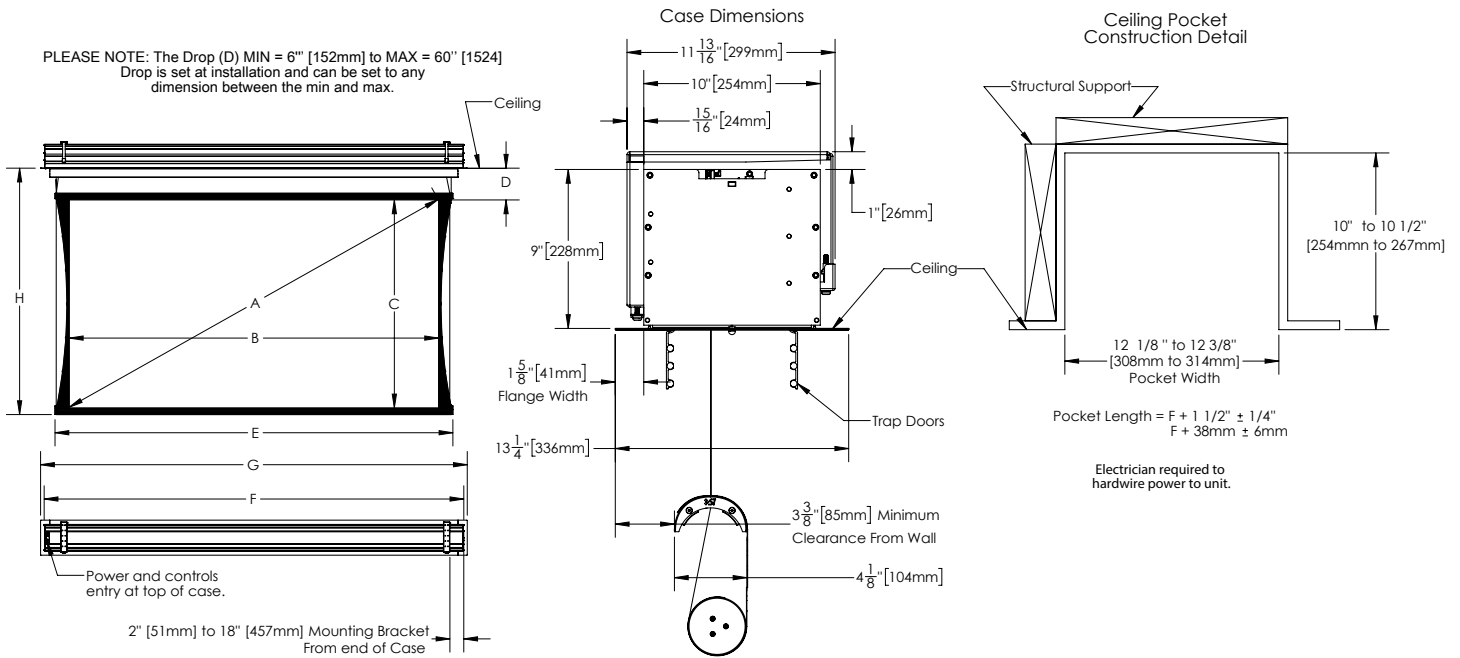
- Weights in this spec apply to Slate or Pure only and are estimates.
- (F) Length does not include flanges.
- All screens come with user adjustable black-drop between the case and viewing surface up to 60" (1,524 mm).
- All screens have a minimum drop of 6" (152 mm)
- All screens come with Wall Switch, IR Remote, and Low Voltage Trigger.
- Screen surface is tab-tensioned.
- Aspect ratios Available: 16:9, 16:10, 2.35:1, and Custom.
- For dimensions not listed, please see our online screen calculator. <http://dash.screeninnovations.com/screencalculator>

WHEN ORDERING, MARK APPROPRIATE SELECTIONS

1. Select Size from Charts.
2. Select Screen Material:
 - Slate 1.2
 - Slate .8
 - Pure White 1.3
 - Pure Gray .85
3. Screen Options:
 - 220v Motor
 - RS232/485 Control & Cable
 - Suspended Ceiling Bracket

MATERIAL INFORMATION

- All surfaces will be seamless.
- Max viewing height 78⁷/₁₆" (1,992 mm)



9715-B Burnet Rd. Ste 400
 Austin, TX 78758
 512-832-6939
 screeninnovations.com

SIZGFLSS2.1
 © 2017 Screen Innovations.

Project Name:	_____
Architect:	_____
Contractor:	_____ Phone _____
Reseller:	_____ Phone _____