

# 5 SERIES ZERO EDGE



SLATE 1.2/.8 - PURE 1.3/.85 - MAESTRO 1.1/.85 - ST .7

SUGGESTED SPECIFICATIONS: [ ] projection screen(s), [ ] (H) x [ ] (W). 5 Series Zero Edge incorporates a thin (3/8-inch) frame and can be shipped either assembled or un-assembled. 5 Series Zero Edge is available with Slate 1.2, Slate .8, Maestro White 1.1 & Gray .8 (acoustically transparent weaves), and Pure White 1.3 & Gray .85 screen materials. The total depth of the assembled screen is 1-7/8 inches. Maximum seamless viewing dimensions are 99 inches high by 330 feet wide. 5 Series Zero Edge can be configured in ratios 16:9, 16:10, and 2:35:1 within the maximum dimensions. Material tensioning is either snap fit or post and bungee; depending on the type of material. Edge trim creates a clean look, covering the tensioning system. Mounting options are wall mount or flown (ceiling mount with stainless steel cables).

## Theater HDTV (16:9) Format Dimensions

Viewing Area H x W (C x B)		Standard Diagonal (A)		Overall Dimensions H x W (E x D)		Approx. Ship. Wt.	
in.	cm.	in.	cm.	in.	cm.	Lbs.	Kg
39" X 70"	100 X 177	80"	203	40" X 71"	102" X 179	36	16
45" X 80"	115 X 204	92"	234	46" X 81"	117" X 206	41	19
49" X 87"	124 X 221	100"	254	50" X 88"	126" X 223	44	20
52" X 92"	132 X 235	106"	269	53" X 93"	134" X 237	47	21
54" X 96"	137 X 244	110"	279	55" X 97"	139" X 245	49	22
59" X 105"	149 X 266	120"	305	60" X 105"	151" X 267	53	24
65" X 116"	166 X 294	133"	338	66" X 117"	167" X 296	58	26
78" X 139"	199 X 354	160"	406	79" X 140"	201" X 356	71	32
88" X 157"	224 X 398	180"	457	89" X 158"	226" X 400	80	36
91" X 161"	230 X 410	185"	470	91" X 162"	232" X 411	109	49
98" X 174"	249 X 443	200"	508	99" X 175"	251" X 445	88	40

## Wide (16:10) Format Dimensions

Viewing Area H x W (C x B)		Standard Diagonal (A)		Overall Dimensions H x W (E x D)		Approx. Ship. Wt.	
in.	cm.	in.	cm.	in.	cm.	Lbs.	Kg
42" X 68"	108 X 172	80"	203	43" X 69"	110" X 174	37	17
49" X 78"	124 X 198	92"	234	50" X 79"	126" X 200	42	19
53" X 85"	135 X 215	100"	254	54" X 86"	137" X 217	45	20
56" X 90"	143 X 228	106"	269	57" X 91"	145" X 230	48	22
58" X 93"	148 X 237	110"	279	59" X 94"	150" X 239	49	22
64" X 102"	162 X 258	120"	305	64" X 103"	164" X 260	54	24
71" X 113"	179 X 287	133"	338	71" X 114"	181" X 288	59	27
85" X 136"	215 X 345	160"	406	86" X 136"	217" X 347	73	33
90" X 144"	229 X 366	170"	432	91" X 145"	231" X 368	102	46
98" X 157"	249 X 398	185"	470	99" X 158"	251" X 400	84	38

## CinemaScope (2:35:1) Format Dimensions

Viewing Area H x W (C x B)		Standard Diagonal (A)		Overall Dimensions H x W (E x D)		Approx. Ship. Wt.	
in.	cm.	in.	cm.	in.	cm.	Lbs.	Kg
42" X 98"	105 X 248	100"	254	42" X 133"	107" X 338	56	25
43" X 101"	109 X 257	110"	279	44" X 160"	111" X 406	66	30
47" X 110"	119 X 281	120"	305	48" X 193"	121" X 490	79	36
52" X 122"	132 X 311	133"	338	53" X 230"	134" X 584	127	58
63" X 147"	159 X 374	160"	406	63" X 250"	161" X 635	103	47
76" X 178"	192 X 451	193"	490	76" X 178"	194" X 453	79	36
90" X 212"	229 X 538	230"	584	91" X 212"	231" X 539	127	58
98" X 230"	249 X 584	250"	635	99" X 231"	251" X 586	103	47

**PRODUCT NOTES**

- Frame is a 3/8-inch wide visible bezel by 1 3/4"-inch deep.
- Aspect ratios Available: 16:9, 16:10, 2:35:1
- Diagonal Sizes available in 1" increments.
- EZ-Snap™ tensioning system.
- Bungee Tensioning System for Maestro material.
- The LED Back-light has 256,000 programmable color options via an IR Remote and an optional input controllable Minijack.
- Mounting options are wall mount or flown mount(ceiling mount with stainless steel cables)
- For dimensions not listed, please see our online screen calculator. <http://www.screeninnovations.com/tools/screen-calculator/>

**WHEN ORDERING, MARK APPROPRIATE SELECTIONS**

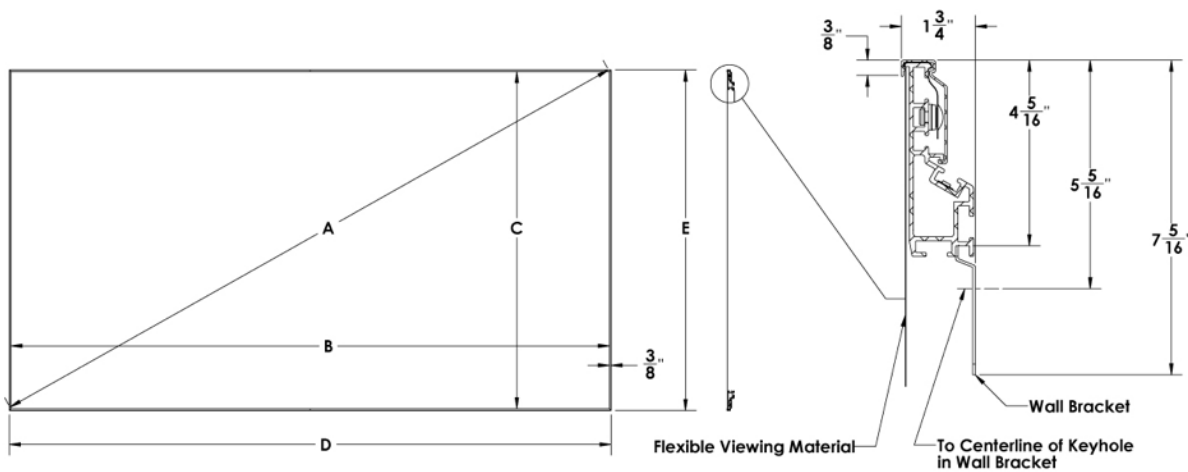
1. Select Size from Charts.
2. Select Viewing Surface
 

<input type="radio"/> Slate .8 (4K)	<input type="radio"/> Pure Gray .85 (8K)	<input type="radio"/> 5 Series ST .7 (4K) (Rigid Panel Only)
<input type="radio"/> Slate 1.2 (4K)	<input type="radio"/> Maestro Gray .85 (4K)	
<input type="radio"/> Pure White 1.3 (8K)	<input type="radio"/> Maestro White 1.1(4K)	
3. Select options on screen:
 

<input type="checkbox"/> Flown Mount	<input type="checkbox"/> Pre-assembled
<input type="checkbox"/> Stand	<input type="checkbox"/> Disassembled
<input type="checkbox"/> LED Back-lighting	

**MATERIAL INFORMATION**

- All surfaces will be seamless.
- Max viewing height 99" +185" on Maestro



**Project Name:** \_\_\_\_\_

Architect: \_\_\_\_\_

Contractor: \_\_\_\_\_ Phone \_\_\_\_\_

Reseller: \_\_\_\_\_ Phone \_\_\_\_\_

