



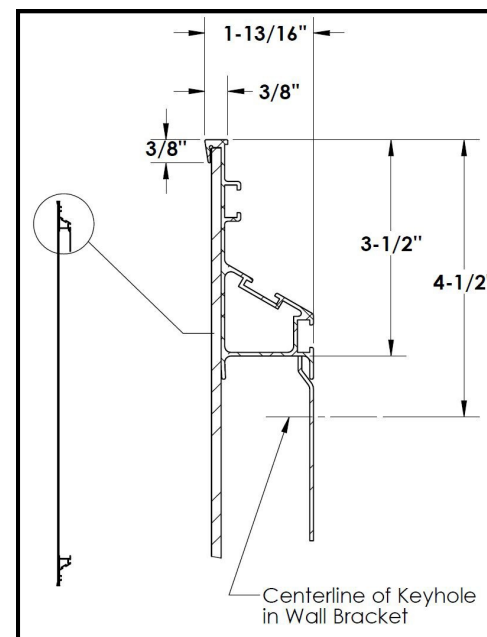
VIDEO



5 and 7 Series ZERO EDGE - Installation Instructions

Wall Mount

1. Measure for screen location. Attach brackets to wall using supplied fasteners based on measurements in diagram below. Ensure you hit studs or insert appropriately sized reinforcing hardware.
2. Lift screen onto brackets and slide to center on the wall.
3. Remove the pre-mask layer from the screen surface.
4. Enjoy the show.



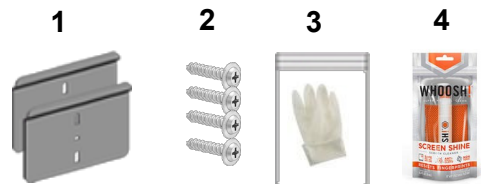
LED Lighting Operation

1. Plug in the LED power supply located on the back of screen into a power source.
2. Use the included remote to control the lights. See the included "Using the Remote Control" page for detailed instructions.
3. See the hex codes below if you want to use a 3rd party control system or remote.

20 13 5C A3	20 13 5D A2	20 13 41 BE	20 13 40 BF	
20 13 58 A7	20 13 59 A6	20 13 45 BA	20 13 44 BB	
20 13 54 AB	20 13 55 AA	20 13 49 B6	20 13 48 B7	
20 13 50 AF	20 13 51 AE	20 13 4D B2	20 13 4C B3	
20 13 1C E3	20 13 1D E2	20 13 1E E1	20 13 1F E0	
20 13 18 E7	20 13 19 E6	20 13 1A E5	20 13 1B E4	
20 13 14 EB	20 13 15 EA	20 13 16 E9	20 13 17 E8	
20 13 10 EF	20 13 11 EE	20 13 12 ED	20 13 13 EC	
20 13 0C F3	20 13 0D F2	20 13 0E F1	20 13 0F F0	
20 13 08 F7	20 13 09 F6	20 13 0A F5	20 13 0B F4	
20 13 04 FB	20 13 05 FA	20 13 06 F9	20 13 07 F8	

Parts

1. 2 Wall Brackets
2. 4 Wall Bracket Screws
3. Latex Gloves
4. Screen Cleaner Kit (7 Series Only)



IMPORTANT SLATE SCREEN HANDLING INSTRUCTIONS:

1. DO NOT MAKE CONTACT WITH THE VIEWING SURFACE OF THE SLATE ZERO EDGE SCREEN.
2. ONLY HANDLE USING THE PROVIDED GLOVES SO AS NOT TO TRANSFER DIRT OR OIL FROM YOUR HANDS TO THE SCREEN.
3. ONLY HANDLE THE SCREEN BY THE FRAME.

External Lens Only - 2.35:1 Projector Throw Distance

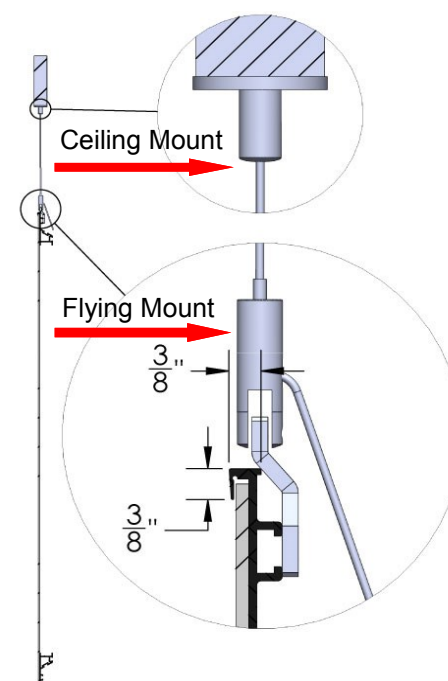
To eliminate PIN CUSHION and BARREL DISTORTION with Zero Edge you must follow the information below.

Zero Edge Diagonal Size	Minimum (Throw Distance)	Maximum (Throw Distance)
144"	(22' - 1")	(23' - 0")
133"	(20' - 5")	(21' - 3")
120"	(18' - 5")	(19' - 2")
110"	(16- 10")	(17' - 7")

Important Note: The projector used must have a minimum zoom capability of 2.7
Projectors with 2.35:1 lens memory modes will have no issues with Zero!

Flying Mount

1. Note: Ceiling mounts must be installed such that each will hold at least 100 lbs.
2. Install ceiling mounts at approximately 1/2 screen width apart centered above the viewing area.
3. Loosen the cap on the top of the flying mount.
4. Slip the cable into the Flying Mount and pull through the slot on the back until the screen hangs at desired height. If you pull too far the screen can be lowered by pushing down the button on the top of the flying mount which allows the cable to be pulled back up through the bracket.
5. Tighten the cap back up to prevent the button from being pushed in.
6. We recommend you don't cut the extra cables for future adjustability. Simply tape the extra cable to the back of the screen.



4. Note that the 3.5mm jack on the left side of the LED controller accepts IR input signals as well as overrides the connected primary IR eye.

3.5mm jack for optional 3rd party IR input signal.



Help Line (512) 832-6939

www.screeninnovations.com